



Installation instructions for cage ladders



Complies with the following standards: « NF E 85-016 » & « NF EN 14122-4 »

INSTALLATION INSTRUCTIONS

1 - NOMENCLATURE

1.1 - LADDERS



Ladder 1.96 M

REF : WVPR000296



Ladder 2.80M

REF : WVPR000297



Ladder connection sleeve

REF : WVPR000303



Pair of standard plugs

REF : WVPR000309

1.2 – EXITS



Wide right exit

REF : WVPR000325



Wide exit with landing step

REF : WVPR000305
(without gate)



Output extension lead 695

REF : WVPR000323
(without gate)



Output extension lead 920

REF : WVPR000324
(without gate)



Output extension lead 1145

REF : WVPR000322
(without gate)

1.3 : CRINOLINE



Flared hoop for wide exit
REF : WVPR000290



Standard hoop
REF : WVPR000291



3/4 hoop for right exit
REF : WVPR000286



Fixed landing with corrugated aluminium plate
REF : WVPR000306



Folding intermediate landing
REF : WVPR000307
(excluding roll bar)



Extruded bar 3 M
REF : WVPR000300

Extruded bar 2 M
REF : WVPR000299

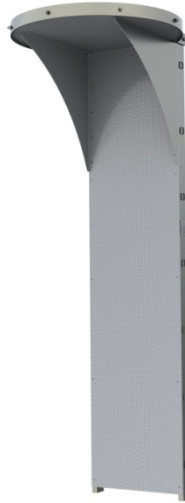


Spacer clamp
REF : WVPR000293

1.4 : ACCESS BLOCKING



Pivoting gate
REF : WVPR000226



Blocking door with pivoting gate
REF : WVPR000228



Door without gate
Depending on fixing structure
REF : WVPR000316

1.5 : BRACKETS



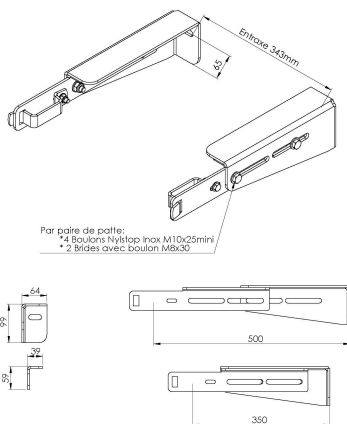
Standard brackets
REF : WVPR000313



Adjustable brackets 200-300
REF : WVPR000310



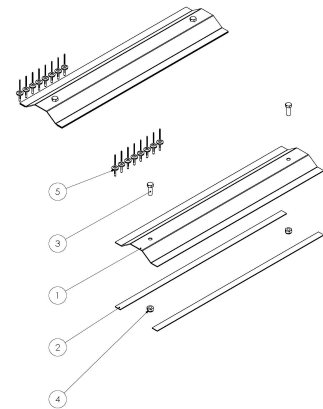
Adjustable brackets 300-400
REF : WVPR000311



Adjustable wall brackets 350-500MM
REF : WVPR000328
Adjustable wall brackets 500-650 MM
REF : WVPR000329
Adjustable wall brackets 650-800 MM
REF : WVPR000330



Angles for floor fixing
REF : WVPR000312



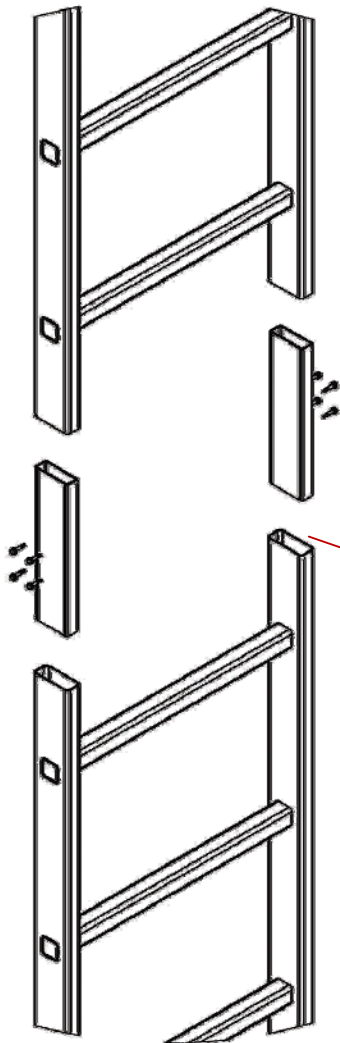
Fixing for ladder on cladding
REF : WVECHKITBARD

2 - ASSEMBLY INSTRUCTIONS FOR FIXED ACCESS LADDERS

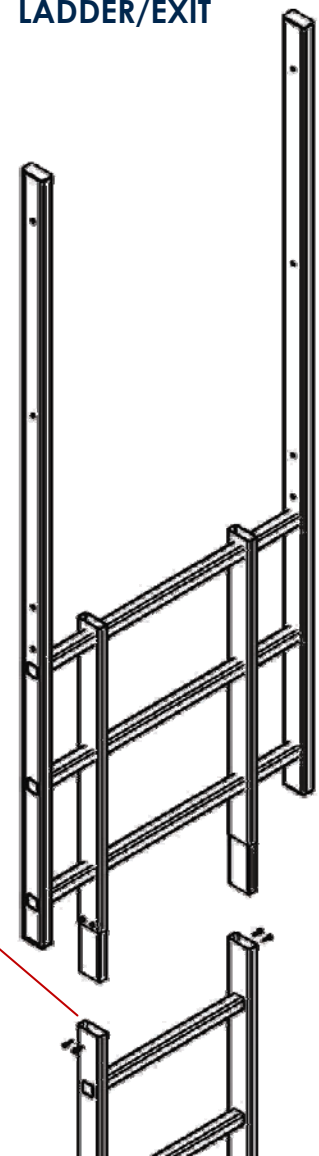
STEP#1 - ASSEMBLY OF JOINTS

STEP#1 :

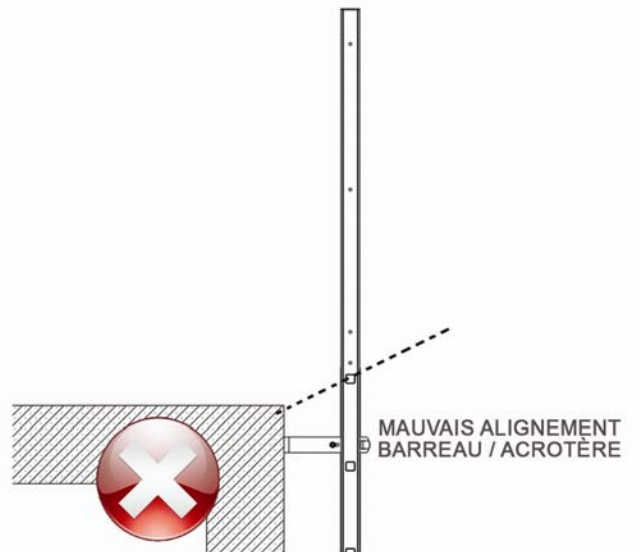
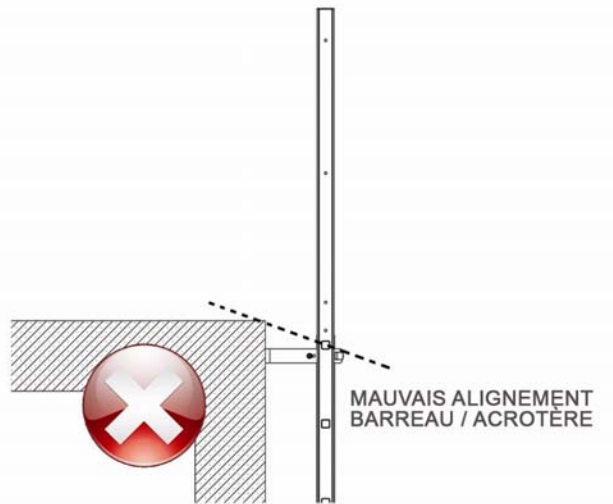
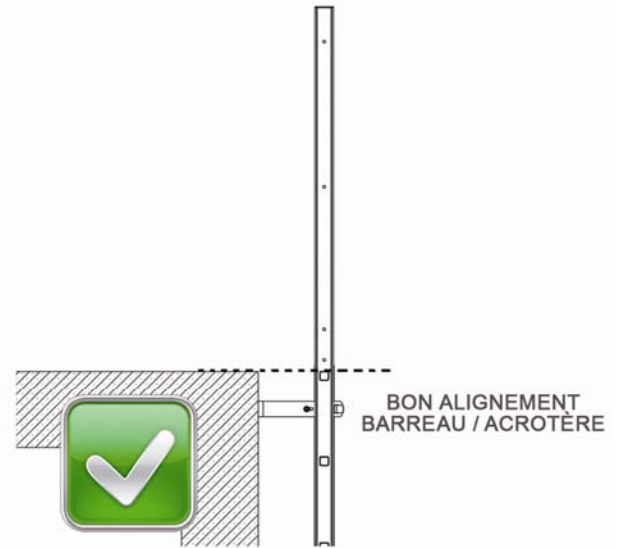
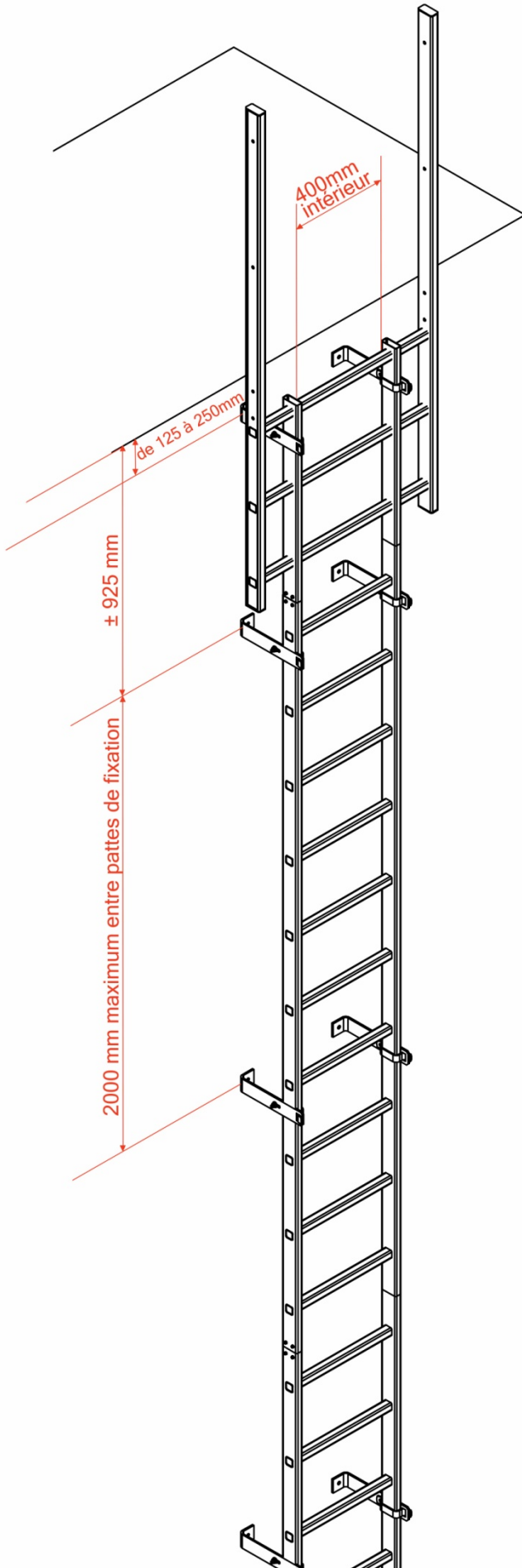
CONNECTION SLEEVE
LADDER/LADDER



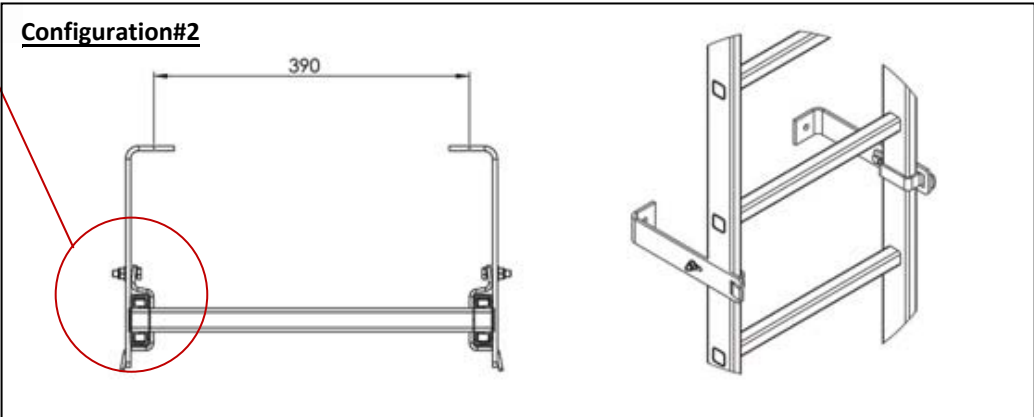
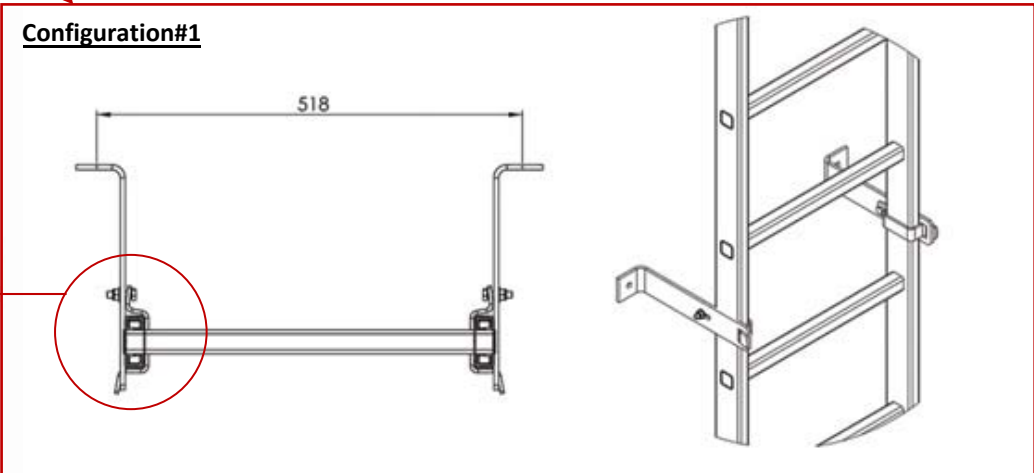
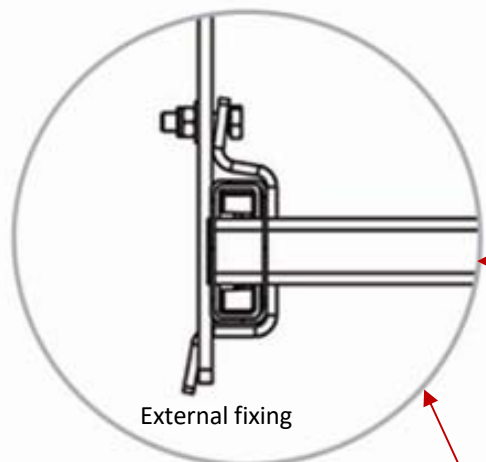
CONNECTION SLEEVE
LADDER/EXIT



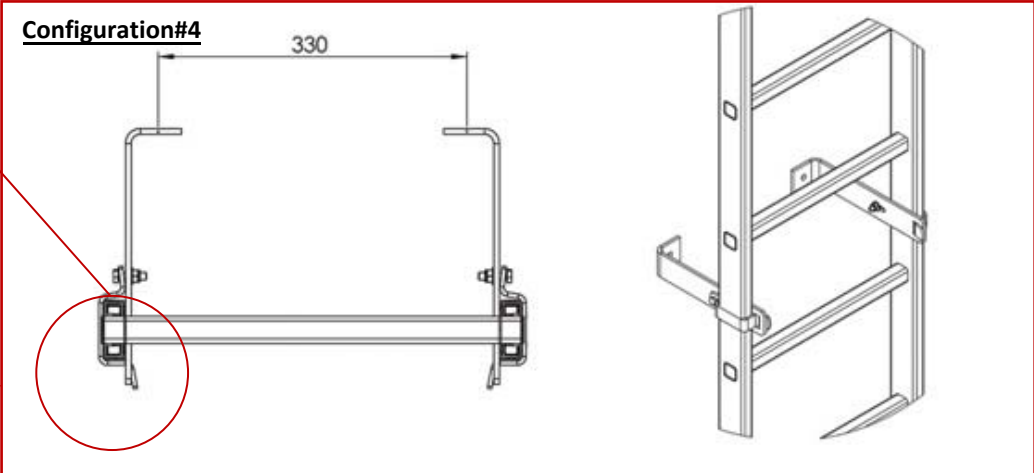
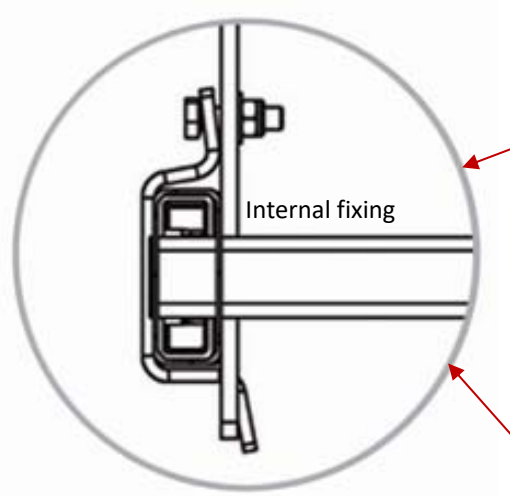
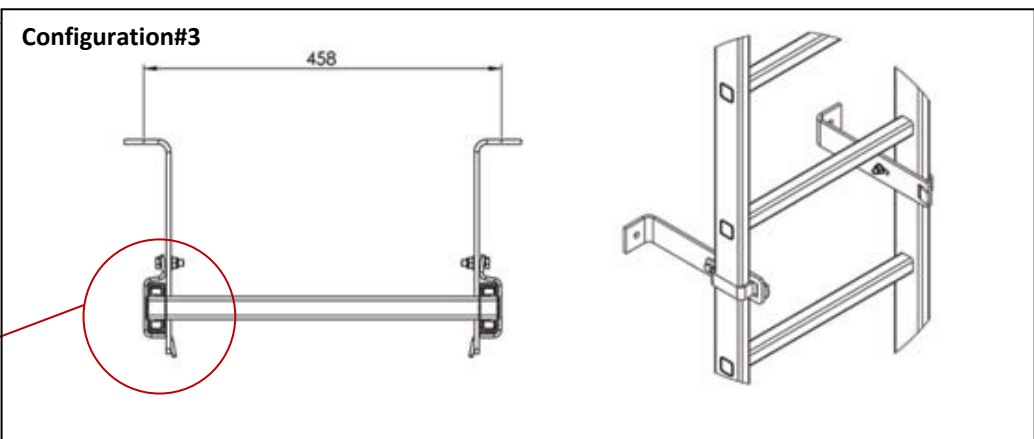
STEP#2 - ASSEMBLY OF BRACKETS



NB: External/external configuration.
Recommended mounting configuration.
Other configurations are an aesthetic choice with no impact on mechanical strength.



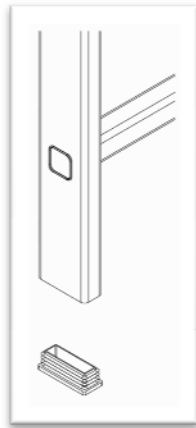
NB: Configuration#3 recommended for locking (door / gate, etc.)



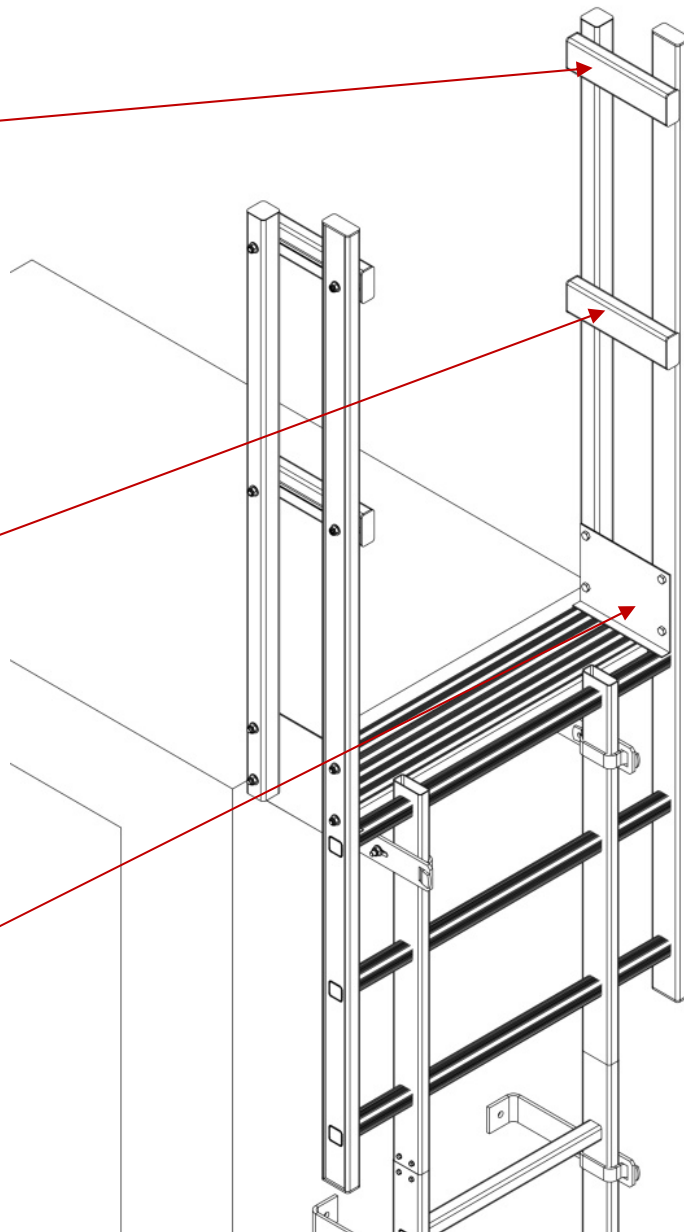
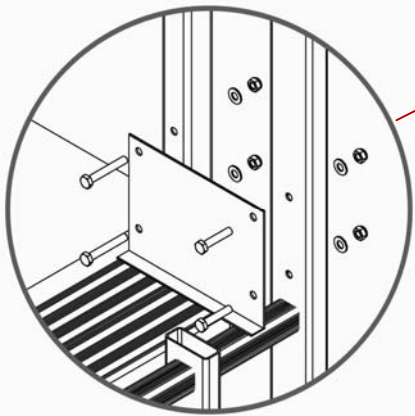
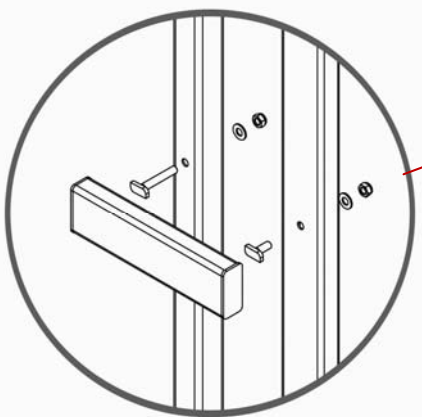
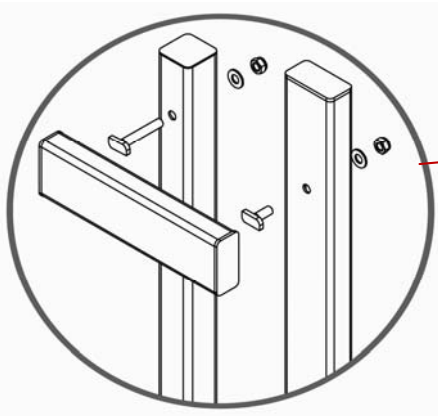
NB: Configuration#4, mounting configuration for cladding plate.

Step#2.1 – INSTALLATION OF PLUGS

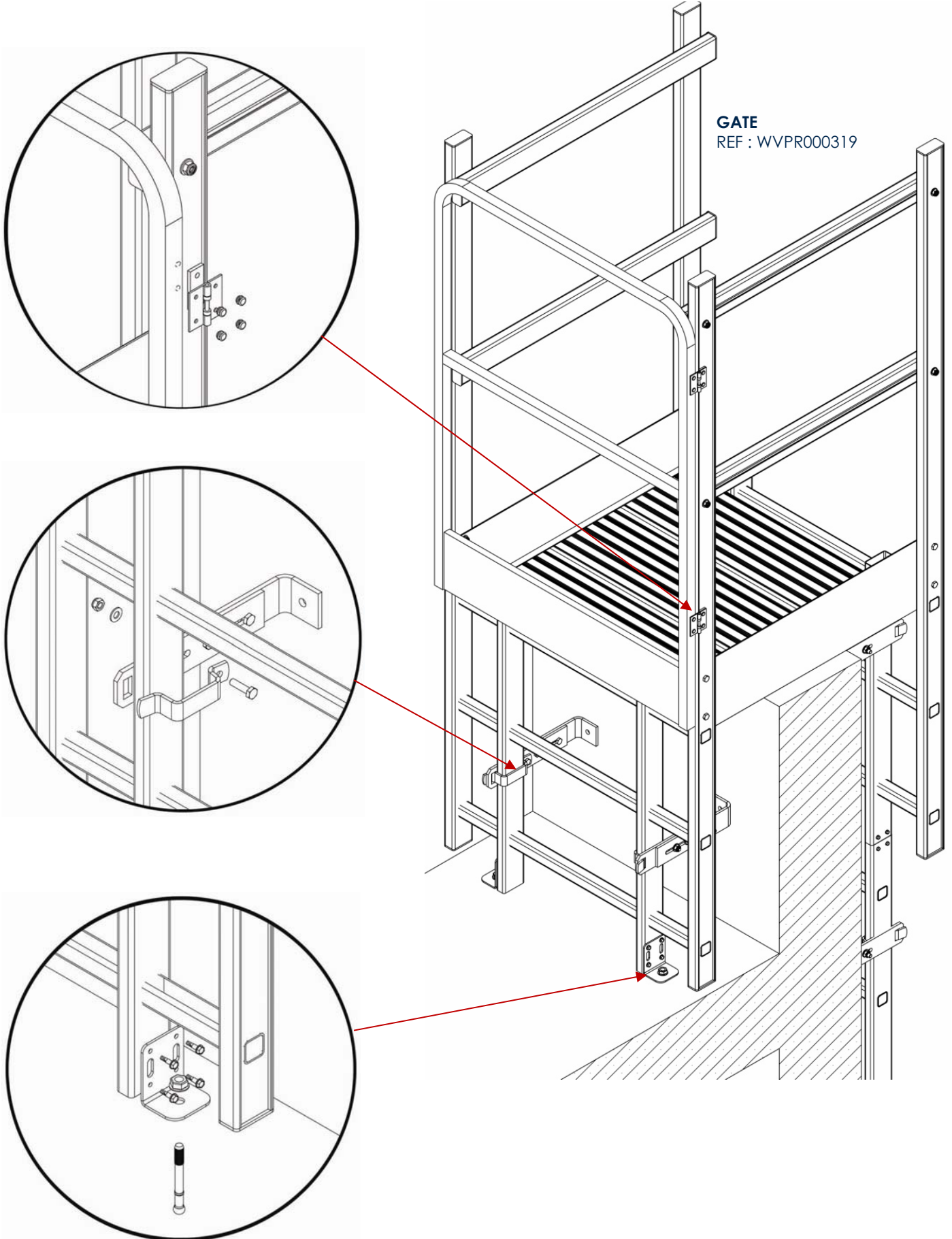
Fitting plugs to the lower sections of ladders and to the upper sections when changing flights.



STEP #3- ASSEMBLY OF STANDARD EXIT

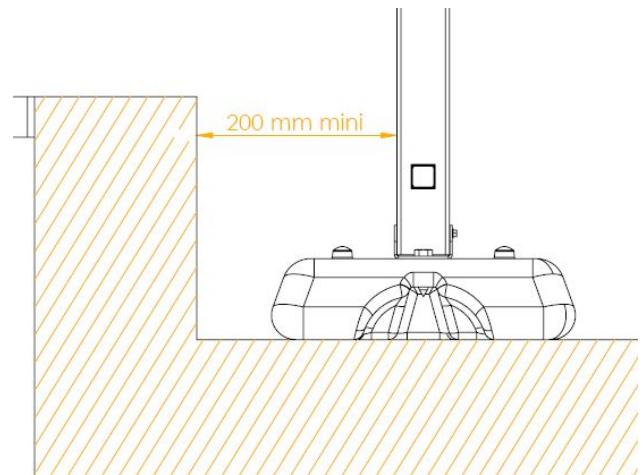
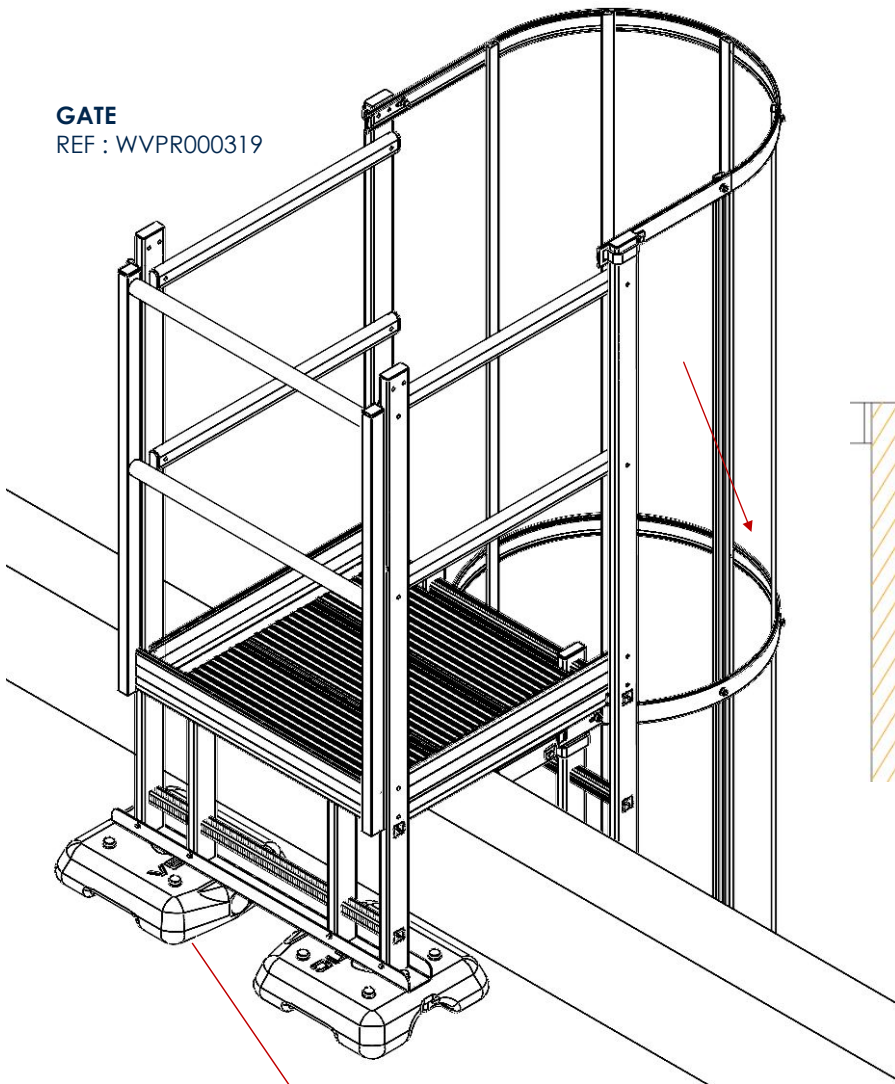


STEP#4- ASSEMBLY OF EXIT TO GATEWAY



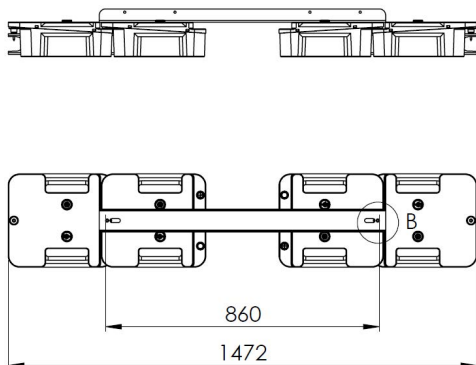
STEP#5- ASSEMBLY OF CONCRETE COUNTERWEIGHTS

GATE
REF : WVPR000319

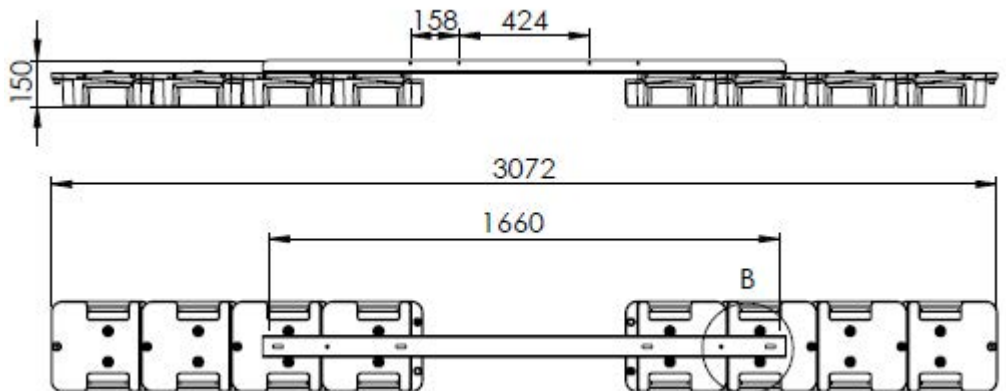


Modification of the exit support:

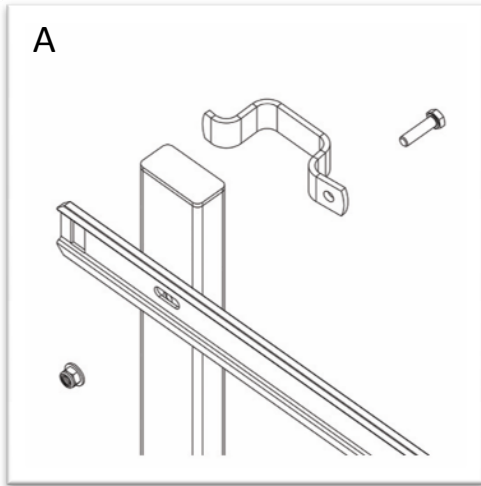
Sur 2 plots



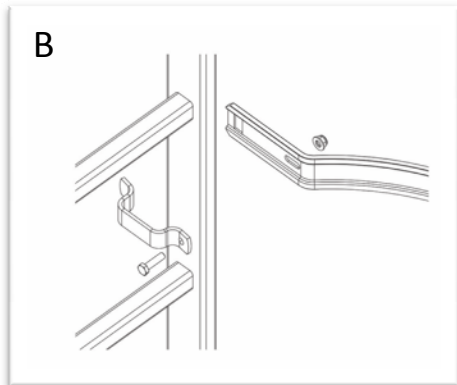
Sur 4 plots



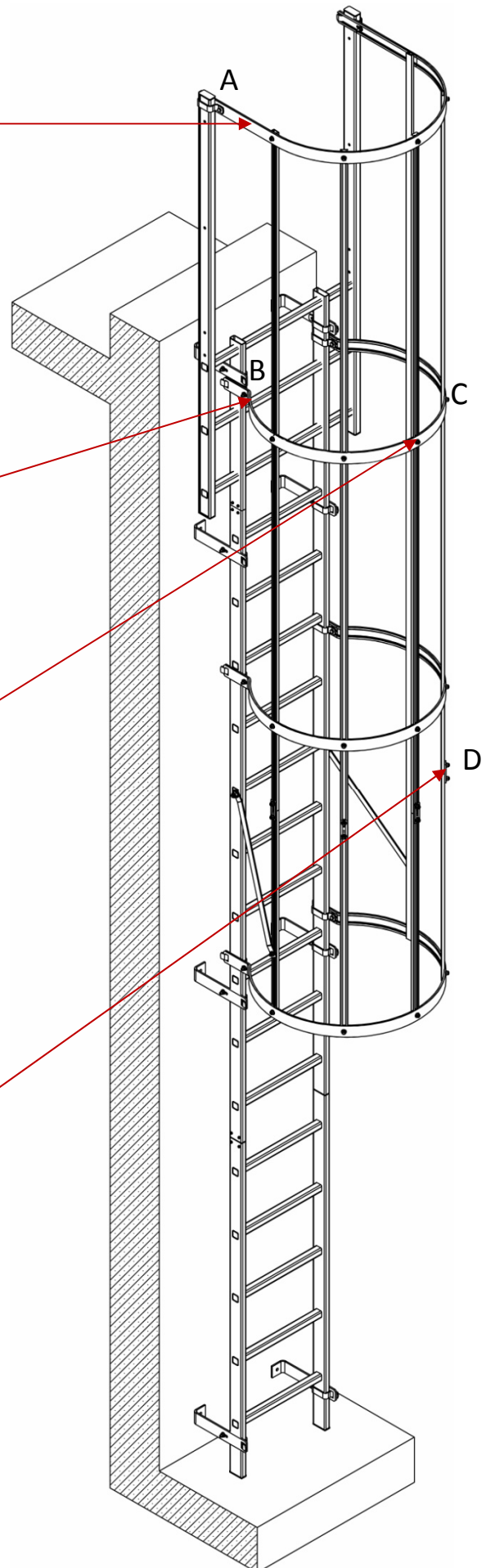
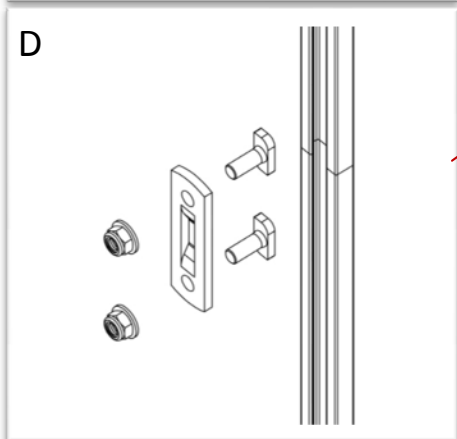
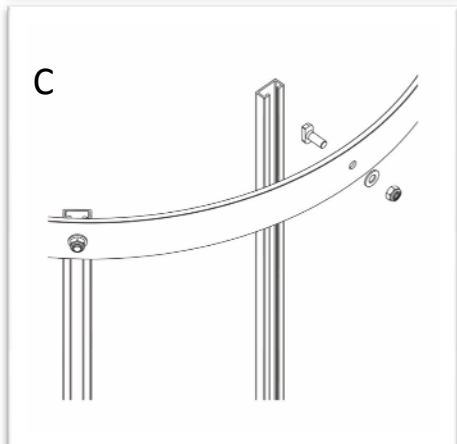
STEP#6- ASSEMBLY OF HOOPS & EXTRUDED BARS



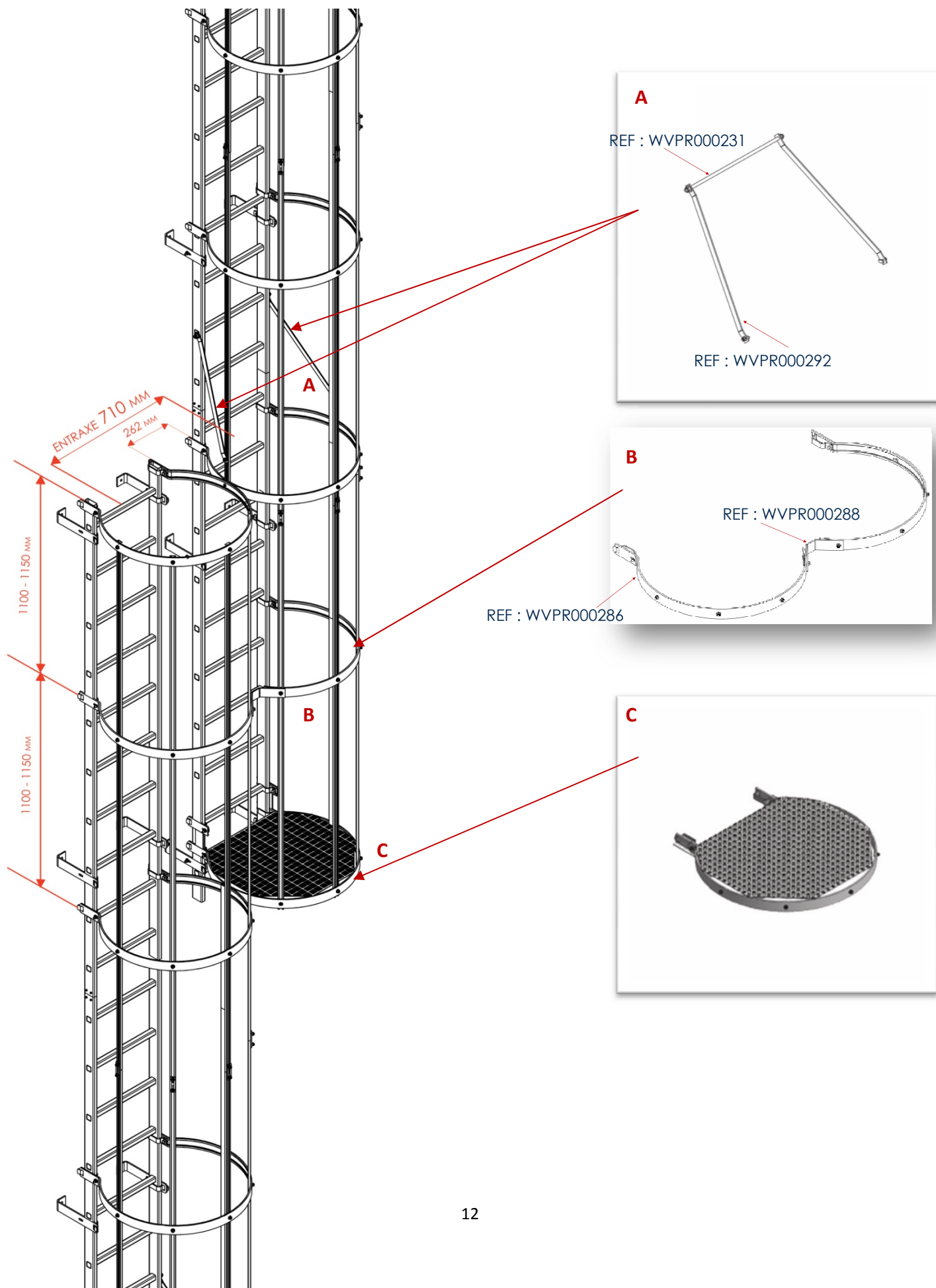
Wide hoop: fixing on the inside of the ladder upright



Standard hoop: fixing on the outside of the ladder upright



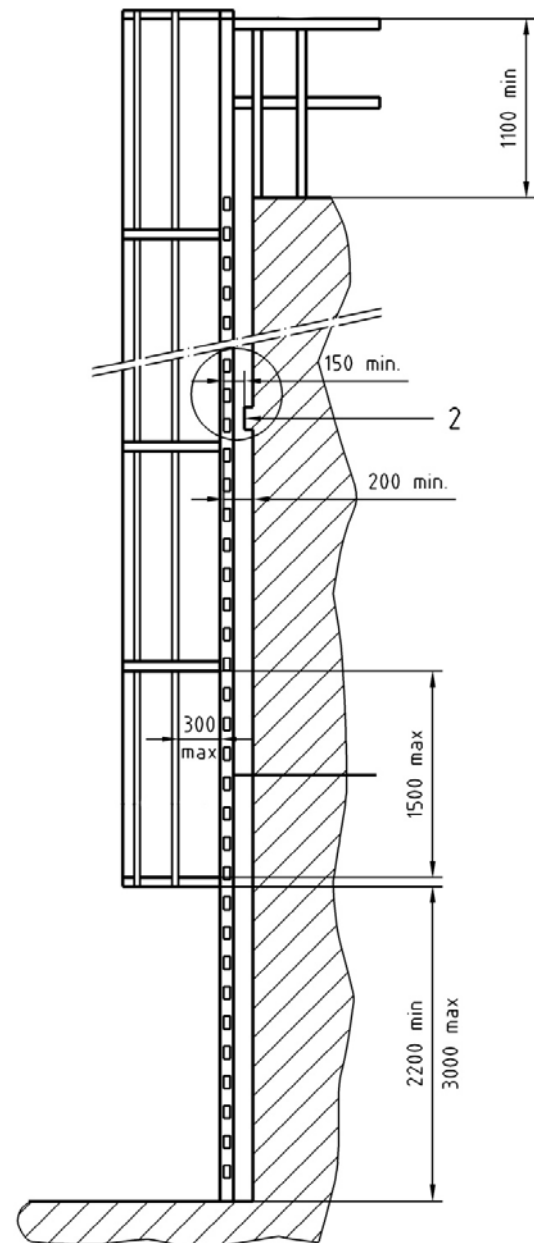
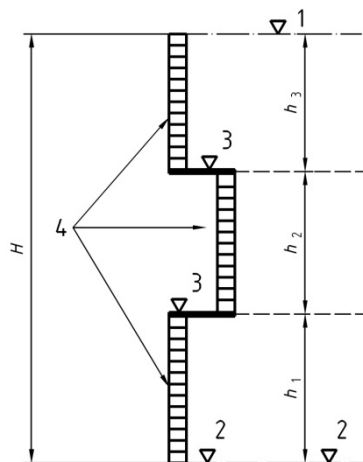
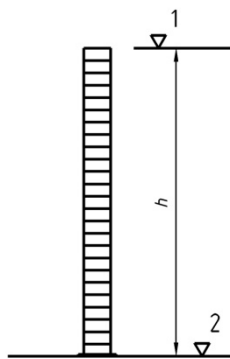
STEP#7- CHANGE OF FLIGHT



EXAMPLE OF A STANDARD MODEL

NF EN 14122-4 - FIXED LADDERS FOR ACCESS TO MACHINERY AND MACHINERY INSTALLATIONS

Up to 3 m drop height	Without back protection
From a drop height of 3 m	Back protection
Up to a climbing height of 10 m	Single flight
From a climbing height of 10 m	Max. flight length 6 m
Distance between the lower back protector and the ground	2200 mm à 3000 mm
Upper echelon	At the output



Vue de profil

Légende

- 1 Niveau d'arrivée
- 2 Niveau de départ
- 3 Palier intermédiaire
- 4 Volée

$h_{\max} = 10000$ mm
a) Échelle sar
(volée unique)

$h_{\max} = 6000$ mm
b) Échelle avec volées décalées